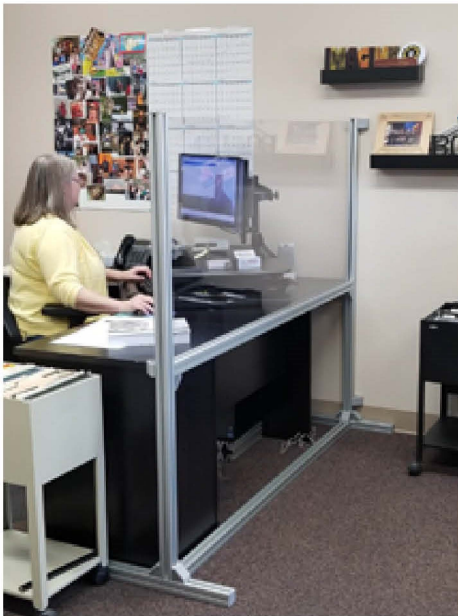


"Your Partner in Manufacturing Solutions"

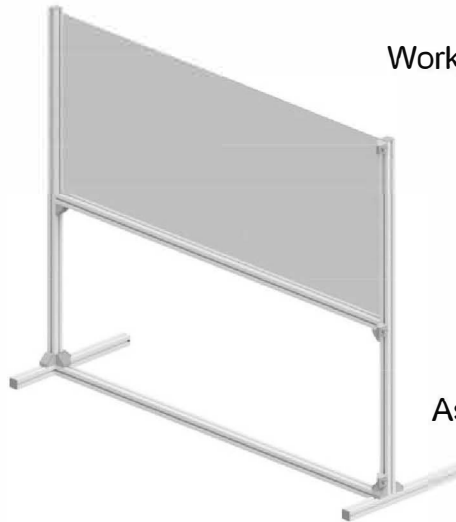
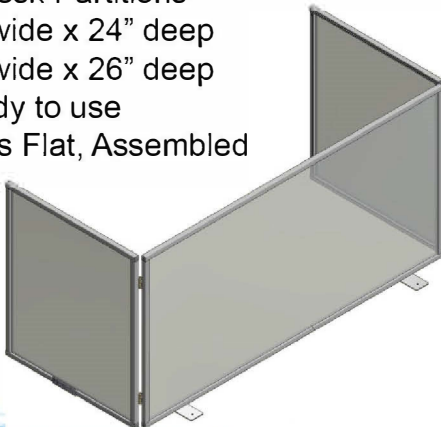
We've Got You Covered...

Partitions, Sneeze Guards, PPE carts, Lab Tables and more.
Updated COVID-19 Workplace Precautions



Personal Desk Partitions

48" wide x 24" deep
60" wide x 26" deep
Ready to use
Ships Flat, Assembled

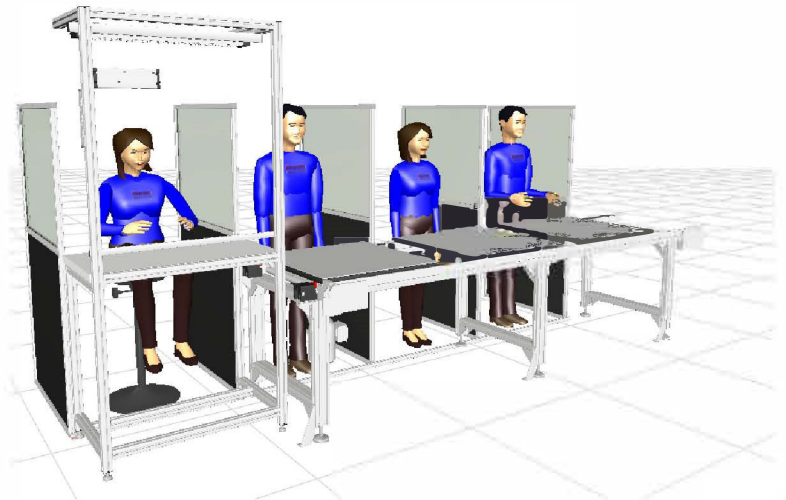


Work Space Partitions

Sitting or Standing heights
Custom Widths, 60" standard
Clear or Opaque Panels
Extra Hardware to attach to desk,
wall or floor

Assembly Line Partitions

Standard 72" Tall
Custom Widths, 40" standard
Clear or Opaque Panels
Extra Hardware to mount



Aluminum Structural Framing
CNC Parts

Design, Manufacturing, Kitting & Assembly
HUGE Inventory

Conveyors, Production Tools and more...